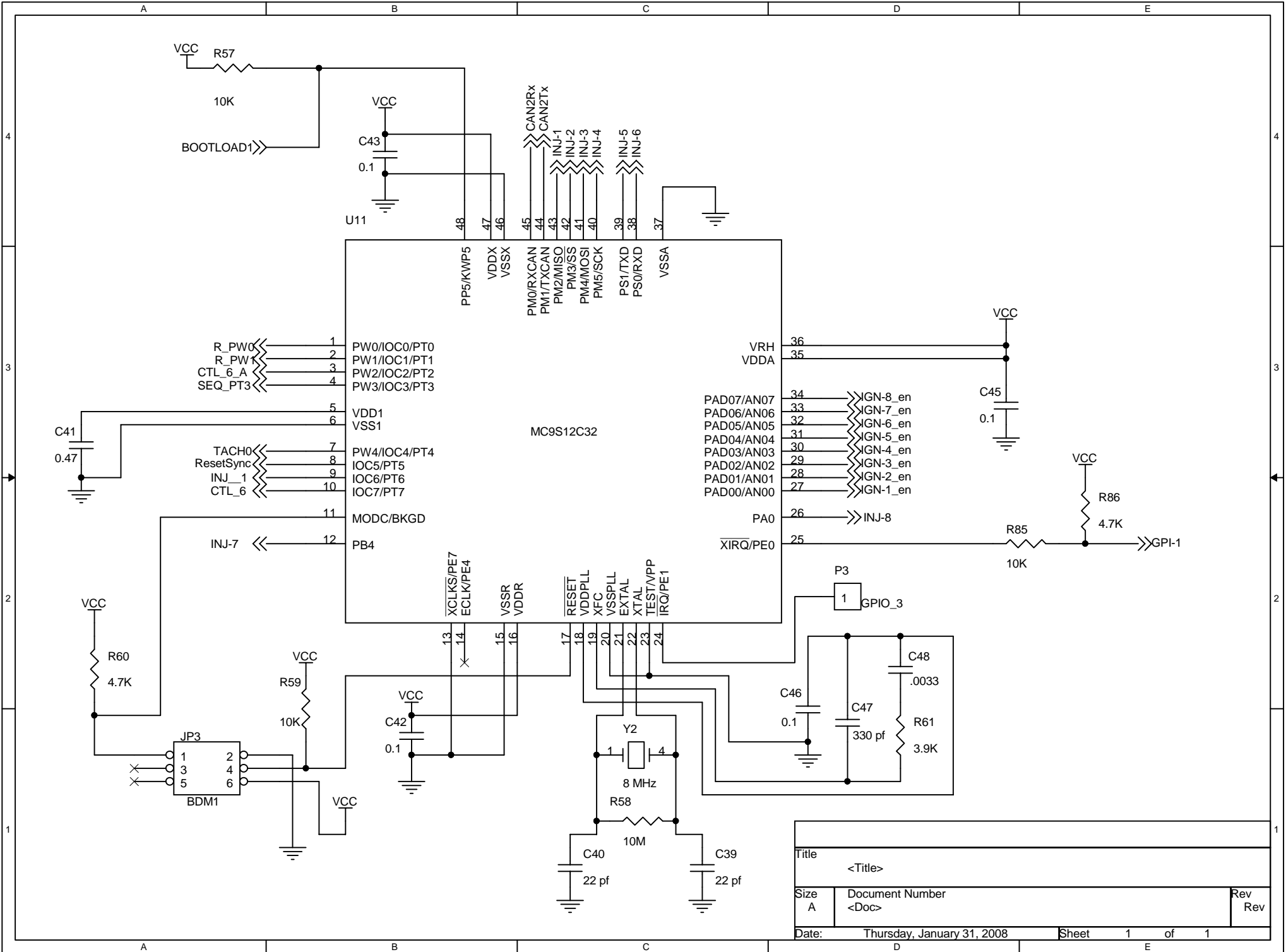
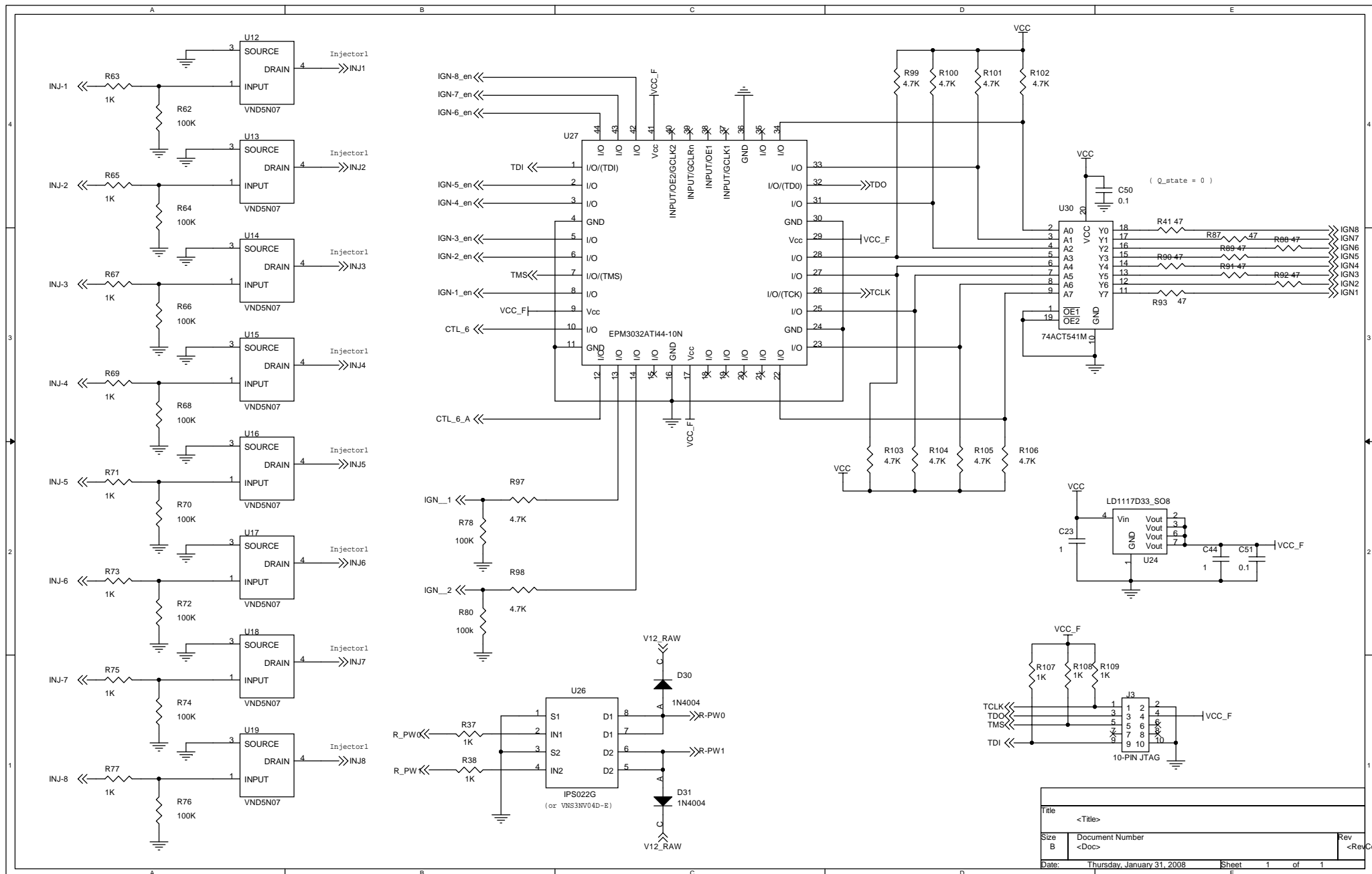


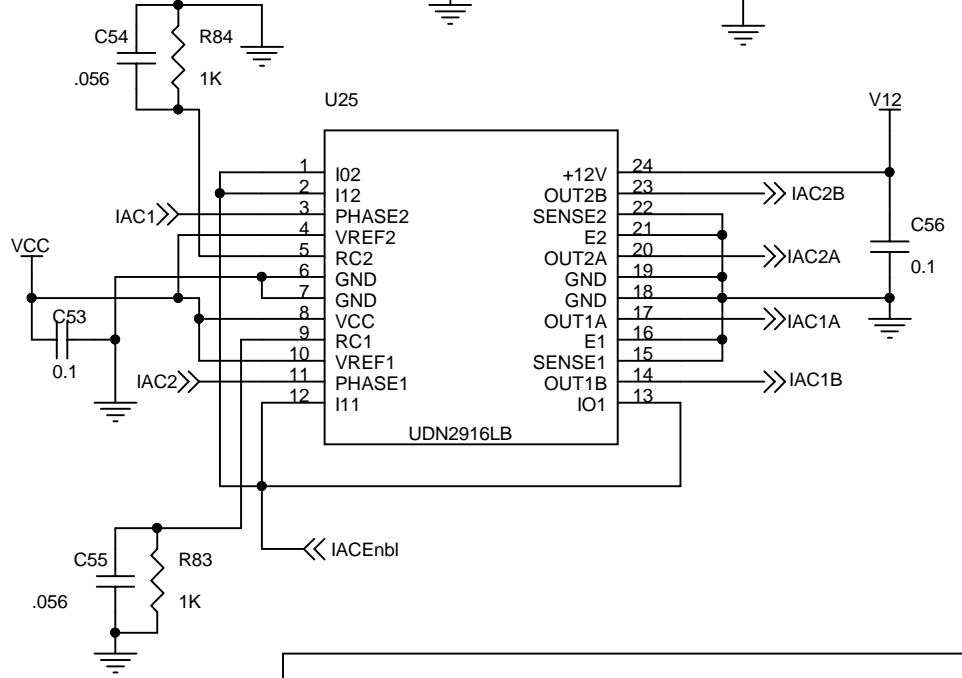
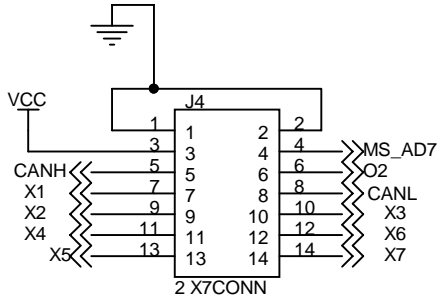
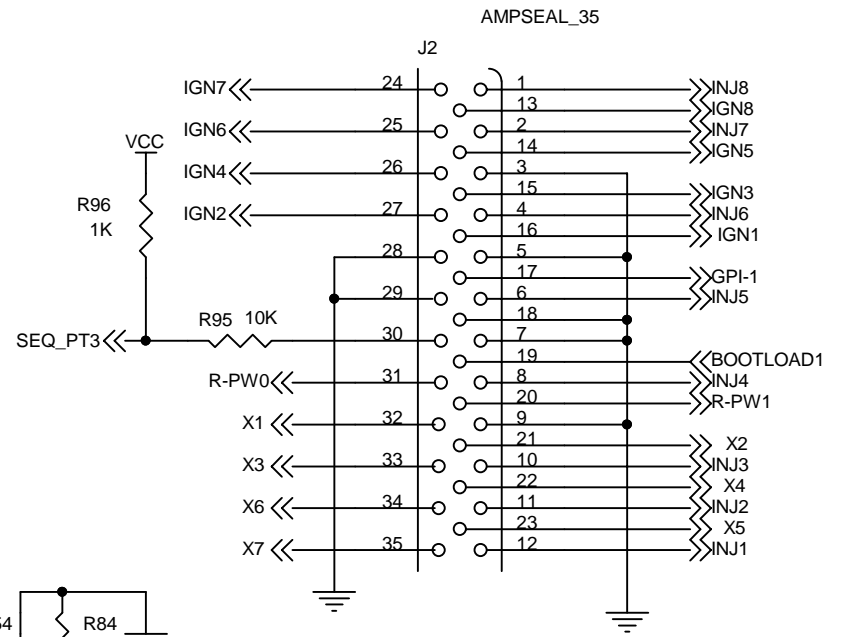
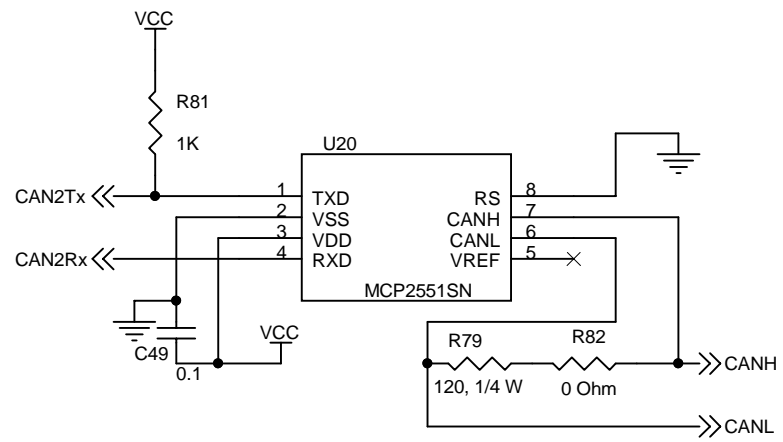
Title		
MicroSquirt - CPU - B. A. Bowling & A. C. Grippo		
Size	Document Number	Rev
A	Rev 1.0	1.0
Date: Thursday, January 31, 2008		Sheet 1 of 10



Title <Title>		
Size A	Document Number <Doc>	Rev Rev
Date: Thursday, January 31, 2008		Sheet 1 of 1



Title			<Title>
Size	Document Number	Rev	
B	<Doc>	<RevCo	
Date:	Thursday, January 31, 2008	Sheet	1 of 1

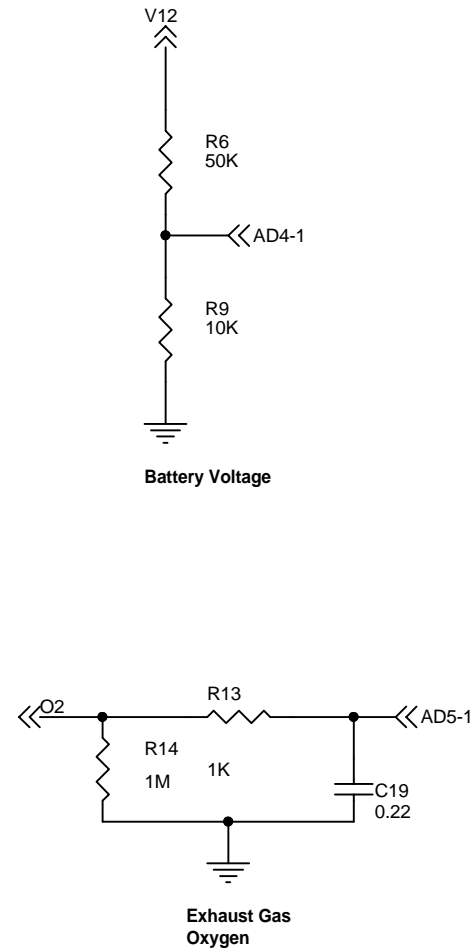
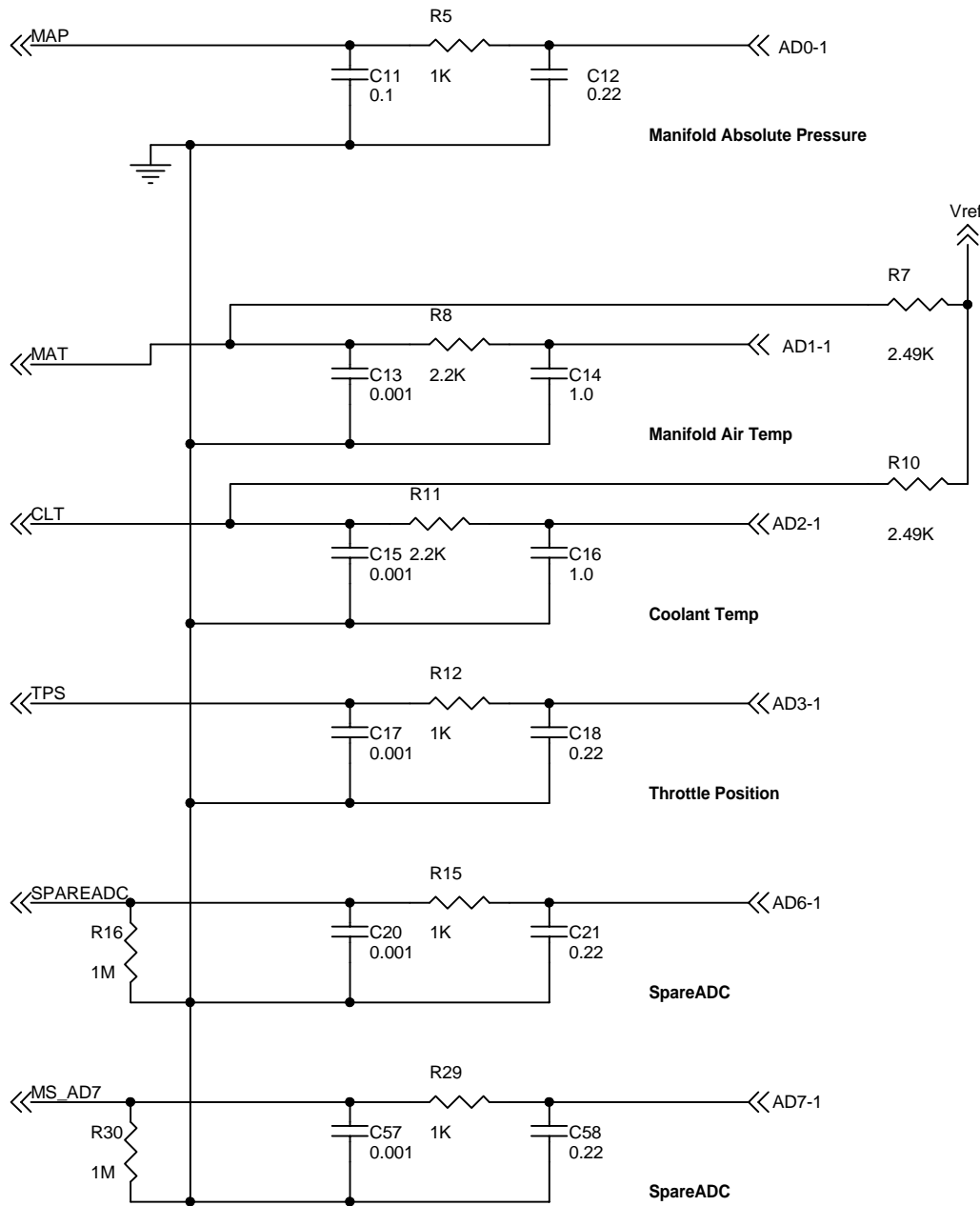


PAD8
1-PIN PAD

PAD9
1-PIN PAD

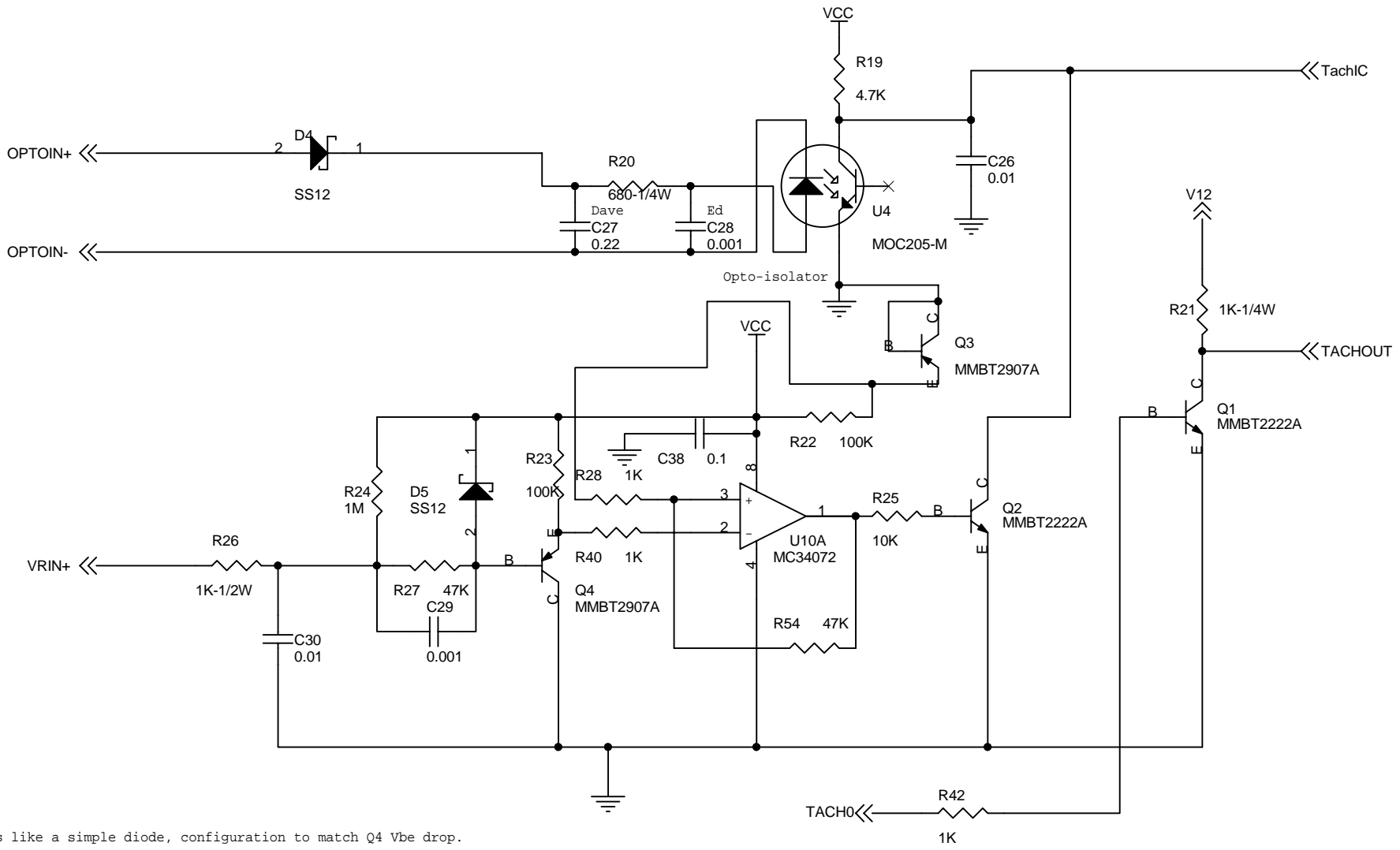
PAD10
1-PIN PAD

Title <Title>		
Size A	Document Number <Doc>	Rev <RevCod>
Date:	Thursday, January 31, 2008	Sheet 1 of 1



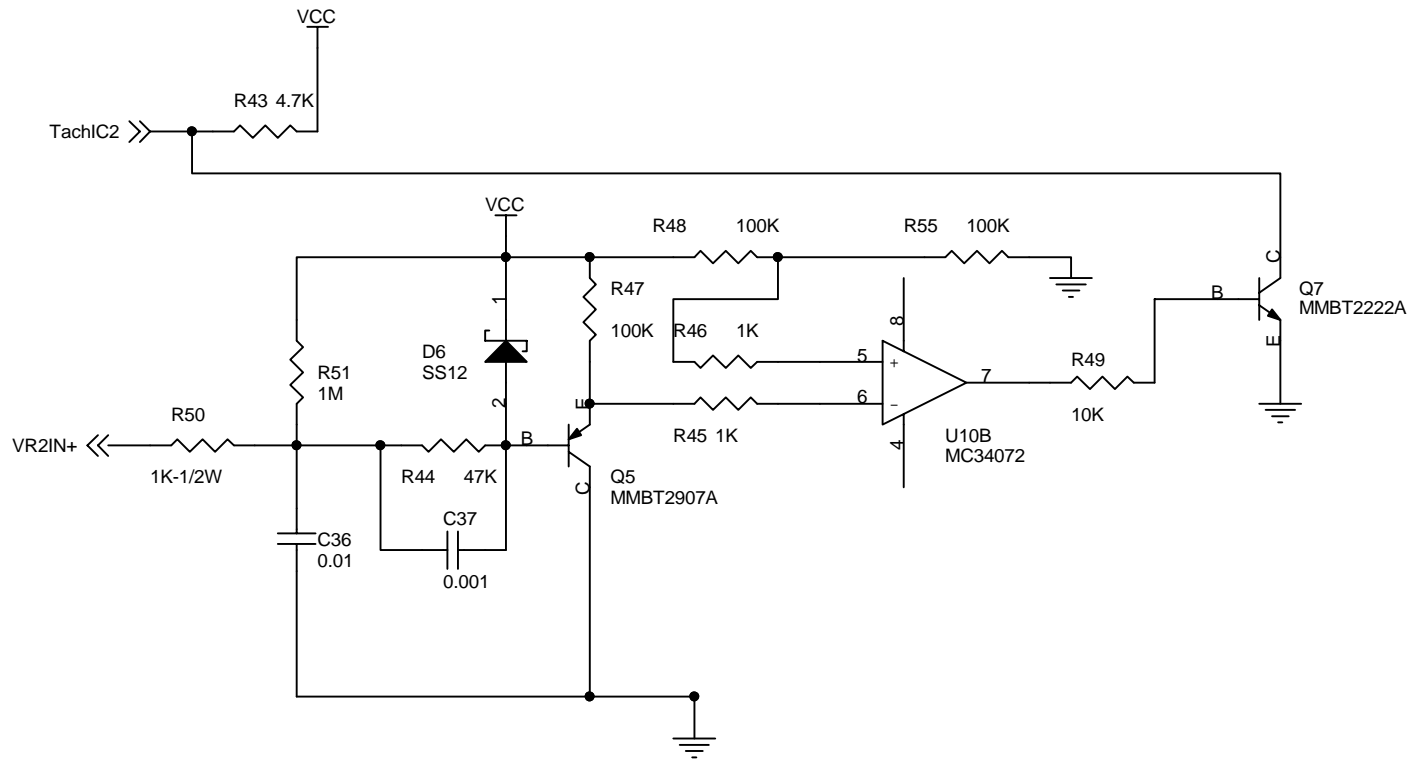
Title		
MicroSquirt - Inputs - B. A. Bowling & A. C. Grippo		
Size	Document Number	Rev
A	Rev 1.0	1.0
Date: Thursday, January 31, 2008		Sheet 2 of 10

Title MicroSquirt - Tach Inputs - B. A. Bowling & A. C. Grippo		
Size A	Document Number Rev 1.0	Rev 1.0
Date: Thursday, January 31, 2008	Sheet 4	of 10

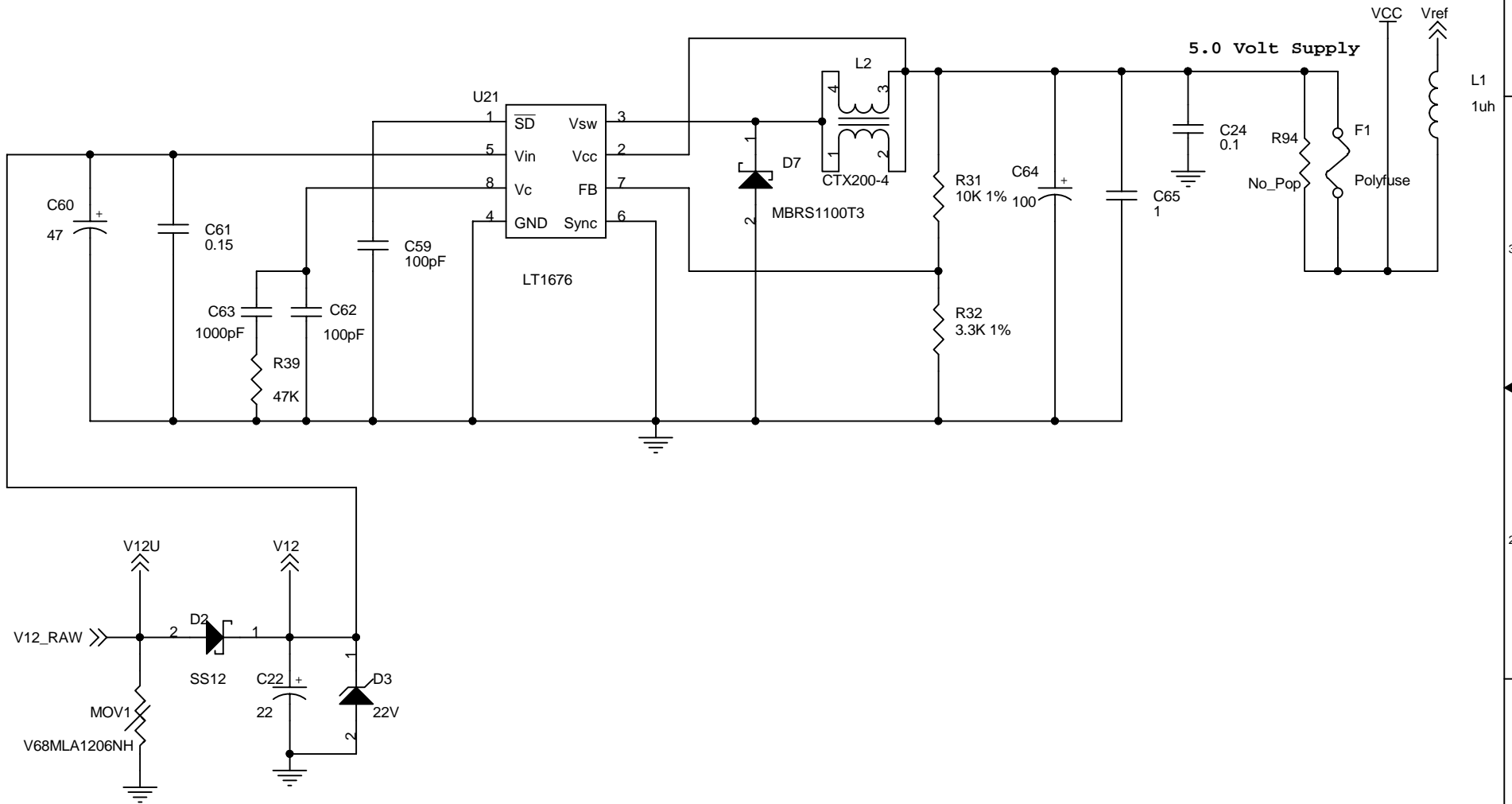


Note: Q3 acts like a simple diode, configuration to match Q4 Vbe drop.

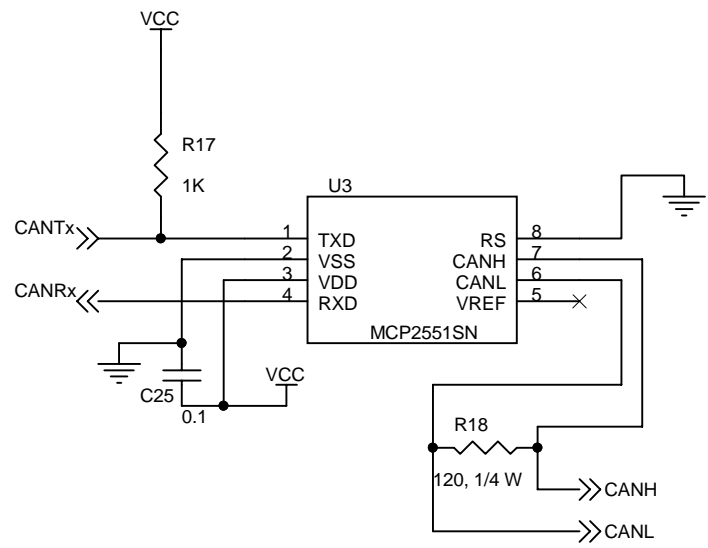
Note: Threshold trip point = $((5V * R55)/(R48+R55)) - 0.7V = 1.8V$



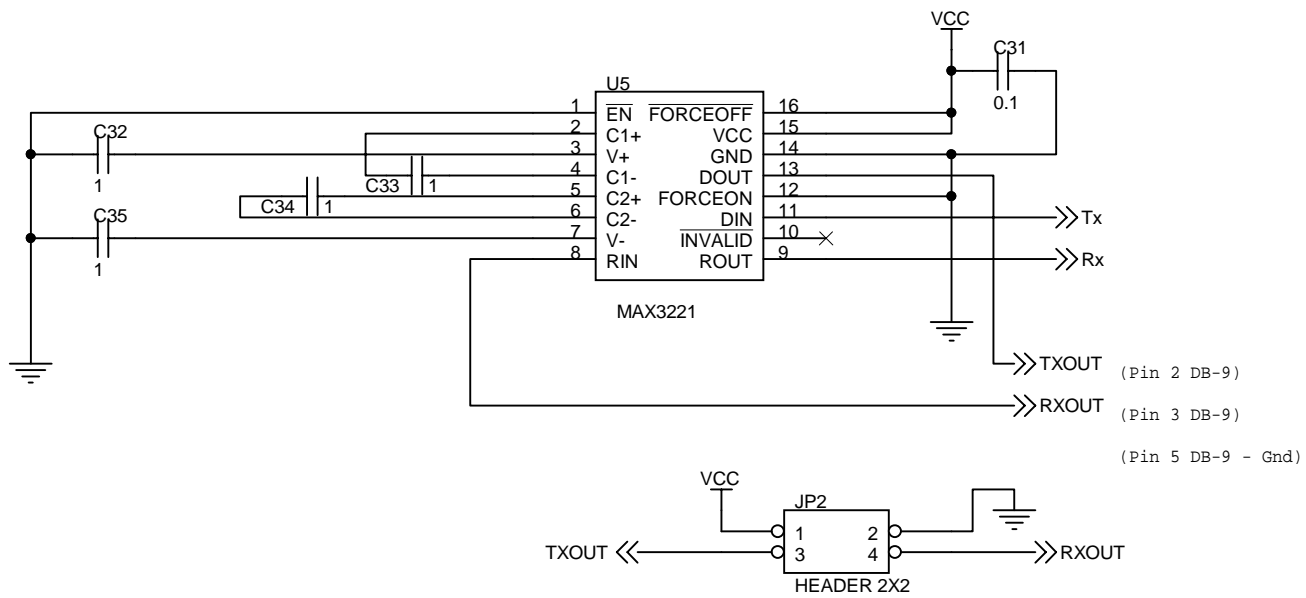
Title		
MicroSquirt - Tach2 - B.A. Bowling & A.C. Grippo		
Size	Document Number	Rev
A	Rev 1.0	1.0
Date: Thursday, January 31, 2008		Sheet 4 of 10



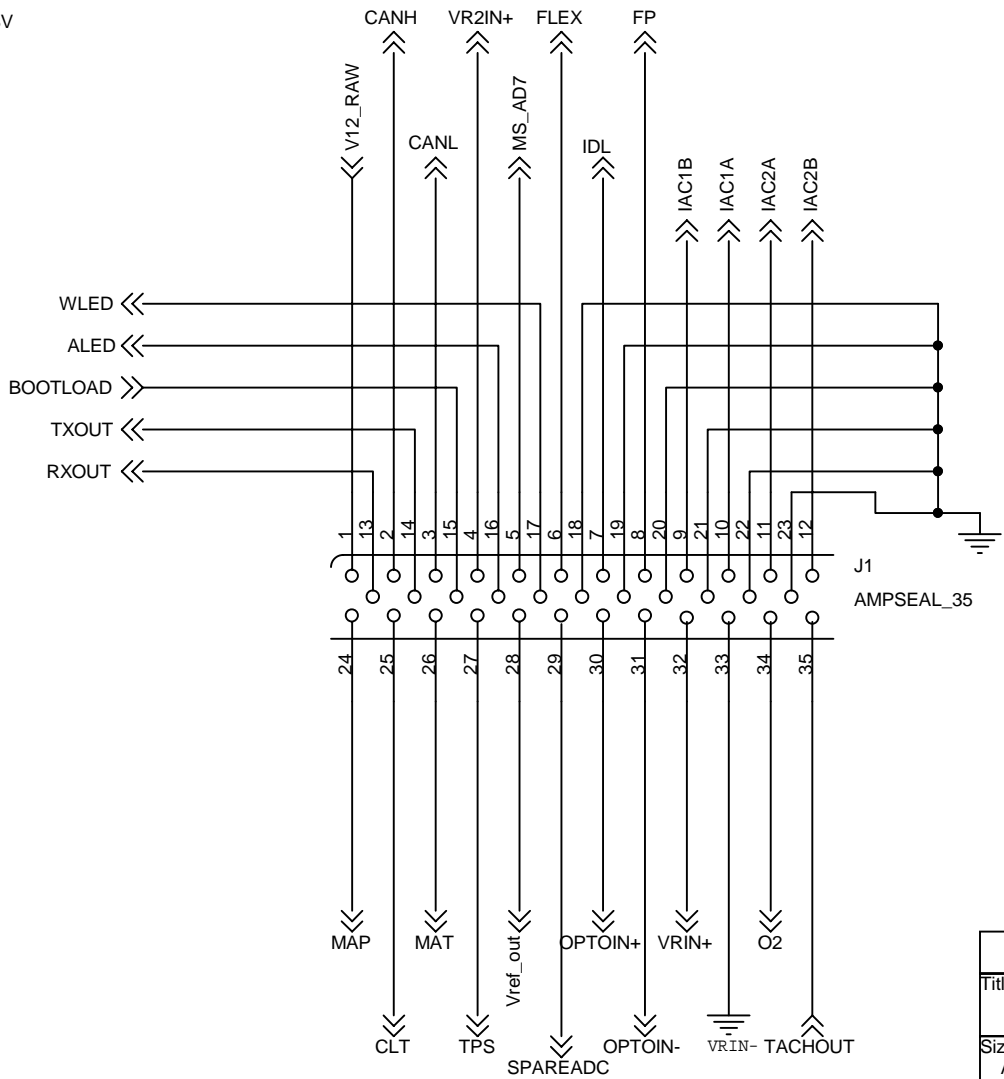
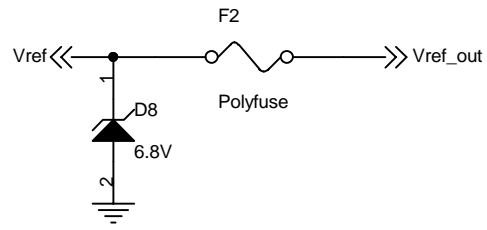
Title		
MicroSquirt - Pwr - B. A. Bowling & A. C. Grippo		
Size	Document Number	Rev
A	Rev 1.0	1.0
Date:	Thursday, January 31, 2008	Sheet 5 of 10



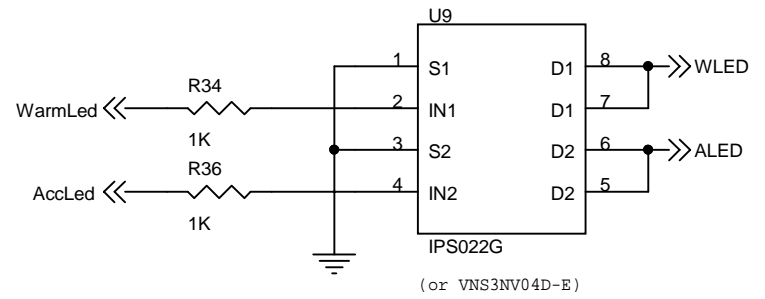
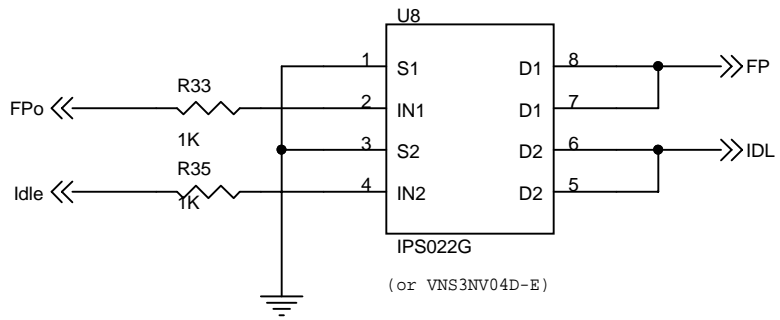
Title		
MicroSquirt - CAN - B. A. Bowling & A. C. Grippo		
Size	Document Number	Rev
A	Rev 1.0	1.0
Date:	Thursday, January 31, 2008	Sheet 6 of 10



Title		
MicroSquirt - Serial - B. A. Bowling & A. C. Grippo		
Size A	Document Number Rev 1.0	Rev 1.0
Date:	Thursday, January 31, 2008	Sheet 7 of 10



Title		
MicroSquirt - Connector - B. A. Bowling & A. C. Grippo		
Size	Document Number	Rev
A	Rev 1.0	1.0
Date:	Thursday, January 31, 2008	Sheet 8 of 10



Title		
MicroSquirt - Outputs - B. A. Bowling & A. C. Grippo		
Size	Document Number	Rev
A	Rev 1.0	1.0
Date: Thursday, January 31, 2008		Sheet 10 of 10